

Tango G2 LED - BVP282



Tango G2 LED Extension is a general purpose LED flood lighting luminaire for various lighting applications, such as area lighting, bill board, façade, industry area, and other general applications. The Tango G2 LED Extension flood light incorporates LED light source, optical system, heat sink and driver into one compact housing. Its specially designed heat sink incorporates aesthetics and functionality ensures reliability and long lifetime. Tango G2 LED Extension takes advantage of LED technology which provides energy savings and a longer lifetime, bringing area lighting into a new era.

Features & Benefits

- **Energy saving:** system efficacy reaches 110lm/w, which gives more than 40% of energy saving when compared to conventional floodlight
- **Free from lamp replacement:** Lifetime reaches 50,000 hours at L70, which requires no lamp replacement after installation
- **Low maintenance cost:** IP65 housing ensures low maintenance with no need for internal cleaning, resulting in a lower total cost of ownership
- **Flexibility on lighting application:** Optical beam choice of symmetric wide, asymmetric medium fulfils majority needs of lighting application
- **Good reliability:** Painted non-corrosive die-cast aluminum housing and steel bracket gives extra strength when the luminaire is installed in a rough environment
- **Easy installation and maintenance:** Universal “U” shape mounting bracket.



PHILIPS

Tango G2 LED Extension

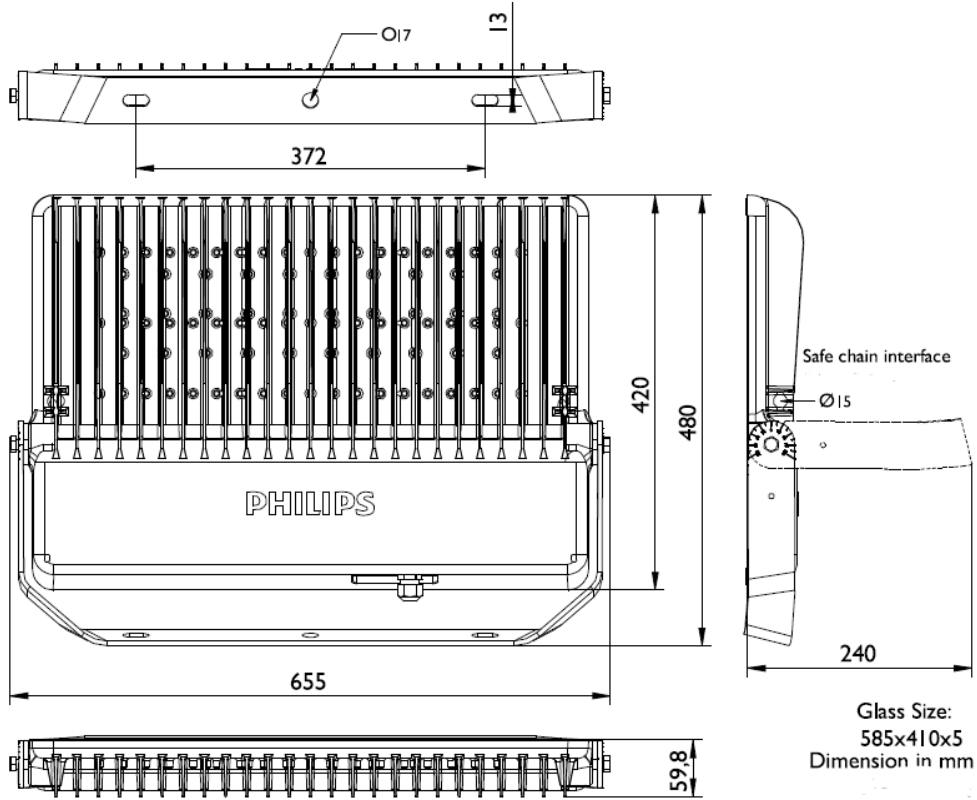
Specifications

	Tango G2 LED Extension
Type	BVP282
Light source	Mid Power LED
Power requirement	220-240V 50/60Hz
Power factor	0.95(Full Load)
Power Consumption	BVP282: 160W, 200W
LED driver & driving current	Constant current at 700mA
System lumen output	BVP282: 17,600lm; 22,000lm
CRI	80
Color temperature	6500K ± 500K / 4000K ± 500K / 3000K ± 500K
Optics	A-MB, S-WB, S-MB
Materials and finishing	Housing: Die-cast aluminum Gasket: Heat resistant silicone rubber Glass: Tempered glass Housing Colour: Grey Aluminium RAL9007
Lifetime	50,000 hours (70% lumen maintenance @ Ta = 35°C)
Installation	Universal Bracket
Dimensions (LxBxH)	655 x 420 x 54mm
Weight	11.8KG
Classifications	IP65; IK07; Class I;
Operating Temperature	-40°C to 50°C
Surge protection	10KV
Controls	DALI & 1-10V Dimming options
Certifications	CB, CQC, CE, RoHS, SAA

Tango G2 LED Extension

Dimensions
(units: mm)

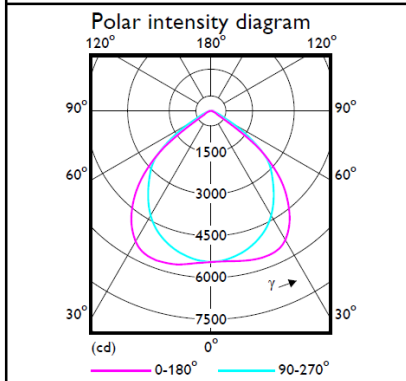
BVP282



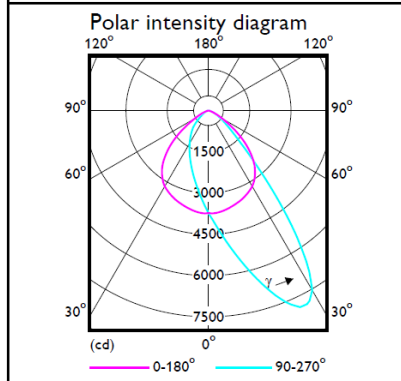
Glass Size:
585x410x5
Dimension in mm

Photometry

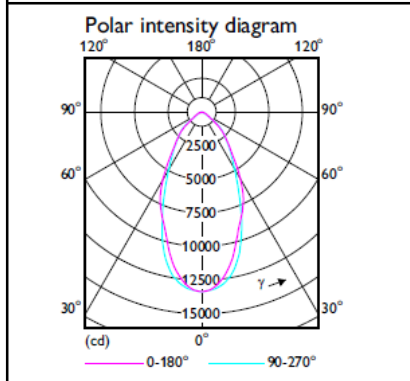
BVP282 LED220/NW 200W 220-240V SWB
1 x 22000 lm
L.O.R : 1.00



BVP282 LED220/NW 200W 220-240V AMB
1 x 22000 lm
L.O.R : 1.00



BVP282 LED220/NW 200W 220-240V SMB
1 x 22000 lm
L.O.R : 1.00



Tango G2 LED Extension

Ordering information

12NC	Description
911401666902	BVP282 LED176/NW 160W 220-240V AMB
911401666802	BVP282 LED220/NW 200W 220-240V AMB
911401666702	BVP282 LED176/CW 160W 220-240V AMB
911401666602	BVP282 LED220/CW 200W 220-240V AMB
911401666502	BVP282 LED164/WW 160W 220-240V AMB
911401666402	BVP282 LED205/WW 200W 220-240V AMB
911401666302	BVP282 LED176/NW 160W 220-240V SWB
911401666202	BVP282 LED220/NW 200W 220-240V SWB
911401666102	BVP282 LED176/CW 160W 220-240V SWB
911401666002	BVP282 LED220/CW 200W 220-240V SWB
911401665902	BVP282 LED164/WW 160W 220-240V SWB
911401665802	BVP282 LED205/WW 200W 220-240V SWB
911401606403	BVP282 LED176/NW 160W 220-240V SMB
911401606303	BVP282 LED220/NW 200W 220-240V SMB
911401606003	BVP282 LED176/CW 160W 220-240V SMB
911401605903	BVP282 LED220/CW 200W 220-240V SMB
911401606203	BVP282 LED164/WW 160W 220-240V SMB
911401606103	BVP282 LED205/WW 200W 220-240V SMB

- More options available on request



© 2015 Koninklijke Philips Electronics N.V.
All rights reserved.

Specifications are subject to change without notice. Trademarks are the property of Koninklijke Philips Electronics N.V. or their respective owners.

www.philips.com/lighting

Oct 2015
Data subject to change